

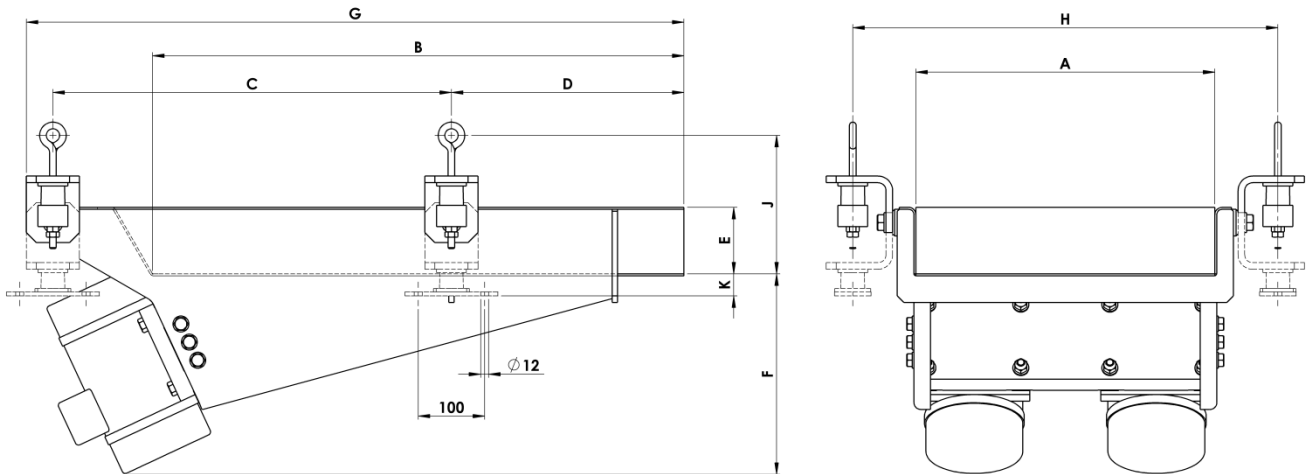
SYNTECHTRON

ECOVIBE Electromechanical Dual Rotary Vibrator Feeders

- Economical • Low Maintenance • Lined or Unlined
- Suspension or Floor Mounted



Syntechtron ECOVIBE Electromechanical Feeders come in three standard models suspension or floor mounted on rubber elements. Feeder pans can be stainless steel or mild steel, unlined or fitted with bolt in ARS liners. Counter rotating out-of-balance motors, fitted to the back of the Feeder pan, can be adjusted for a desired fixed rate. The Feeder can be supplied with a separate frequency inverter to give feed rate turn down from 100% to 30%.



Model	A	B	C	D	E	F	G	H	J	K	Drive 2x kW	Mass kg	Cap.* T/H
RVF0406	350	600	475	290	75	270	805	550	185	54	0.25	52	30
RVF0508	450	800	600	350	100	360	990	650	208	33	0.50	85	55
RVF0610	600	1000	780	400	100	390	1220	800	197	44	0.75	130	100

* Feed Rate based on free flowing granular material @ 1600kg/m³

SYNTECHTRON

Ph: 02 9679 7022
Fax: 02 9679 7033

AUSTRALIAN OWNED

Email: sales@syntechtron.com
Website: www.syntechtron.com